

Faucet Mounted Eyewash

Haws

FEATURES & BENEFITS

ACTIVATION

Easy one motion rotation (in either direction) to activate/deactivate the use of the unit.

THERMOSTATIC PROTECTION

Thermostatic protection that will protect the user from water over 100° F (37.8° C) by shutting off the eyewash.

INSTALLATION

Easy to install on a wide variety of sink faucets (not included) using a standard 55/64-27 thread stainless steel faucet connection, along with four additional adaptors provided (15/16-27 male, 13/16-27 male, 3/8-18 male and 13/16-24 female).

FINISH

The stainless steel construction is rugged enough for any industrial application, and the polished surface is cosmetically suited for any professional office setting.

EYEWASH

Eyewash head (patent pending) uses an inverted directional laminar flow to sweep contaminants away from the vulnerable nasal cavity.



APPLICATIONS

Where safety is of the utmost importance and the eyes of any person may be exposed to injurious or corrosive materials, suitable facilities for quick flushing and cleansing of the eyes be provided within the work area for immediate emergency use. Model is Certified by CSA to meet the ANSI Z358.1 (provided input water is within tepid temperature range) and ASME A112.18.1/CSA B125.1 standards for Emergency Eyewash and Shower Equipment. Product is compliant to NSF 61 and California Health and Safety Code 116875 (AB 1953) and NSF/ANSI 372, along with current Federal Regulations for the disabled including those in the Americans with Disabilities Act when properly installed on an ADA compliant faucet/sink with knee clearance installation.

SPECIFICATIONS

Model 7620 faucet mounted eyewash (patent pending). Constructed of stainless steel with a polished finish, the unit shall feature inverted directional laminar flow which achieves zero vertical velocity supplied by an integral .9 gpm (3.4 L) flow control. The faucet outlet flows at .5 gpm (1.9 L). The standard faucet connection is 55/64-27 stainless steel female thread, along with four additional adapters; 15/16-27 male, 13/16-27 male, 3/8-18 male and 13/16-24 female. An optional 1 gpm (3.8 L) laminar flow faucet outlet is also supplied. A thermostatic shutoff is used for water temperatures over 100° F (37.8° C). Operating pressure; 30-90 psi (2.1 - 6.2 bar). Dim; Diameter 3.5 in. (8.9 cm), height (from top to faucet outlet) 2 in. (5 cm)

Postadress:

TRÄDGÅRDSTEKNIK AB
Helsingborgsvägen 578, Varalöv
262 96 ÄNGELHOLM

Telefon : 0431-222 90
Bg.nr : 5743-7980
Org.nr : 556409-6120

URL:

www.tradgardsteknik.se
E-postadress:
info@tradgardsteknik.se

EASY INSTALLATION

1. REMOVE AERATOR FROM YOUR FAUCET.
2. CHOOSE AND INSTALL THE APPROPRIATE ADAPTER BY THREADING IT ON TO YOUR FAUCET, IF NECESSARY. (THE STANDARD INTERFACE ON THE eyePOD™ WILL FIT MOST FAUCETS).
3. REMOVE LOCKNUT AND STANDARD INTERFACE AND INSTALL THEM ON TO YOUR FAUCET TOGETHER USING COIN SLOTS. A QUARTER WORKS WELL.
4. THREAD THE LOCKNUT BACK ONTO THE eyePOD™ MAKING SURE THAT THE eyePOD™ IS POSITIONED FACING FORWARD (As shown in Faucet Mode).

NOTE: FAILURE TO INSTALL PROPERLY MAY AFFECT ITS PROPER FUNCTIONING.

INSTALLATION AND USE NOTES

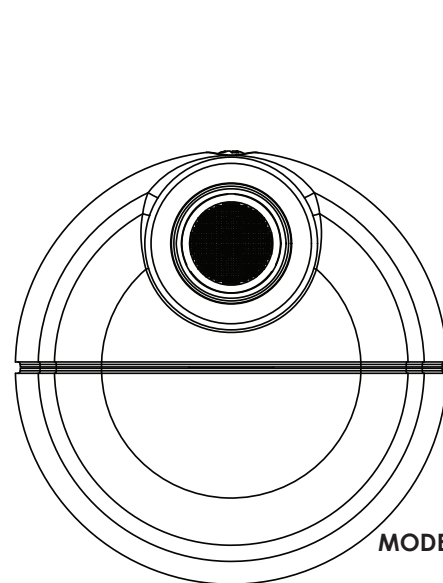
1. THE eyePOD™ IS DESIGNED FOR AND SHOULD ONLY BE USED WITH WATER BETWEEN 60°F (15°C) AND 100°F (37°C). IF ABOVE 100°F (37°C) THE EYEWASH STREAMS WILL BE SHUT OFF BY INTERNAL THERMO-STATIC VALVE.

NOTE: USE OF THE PRODUCT WITH WATER OUTSIDE THE STATED TEMPERATURE RANGE MAY AFFECT ITS OPERATION AND RESULT IN A RISK OF SERIOUS BURNS OR REDUCE ITS EFFICIENCY.

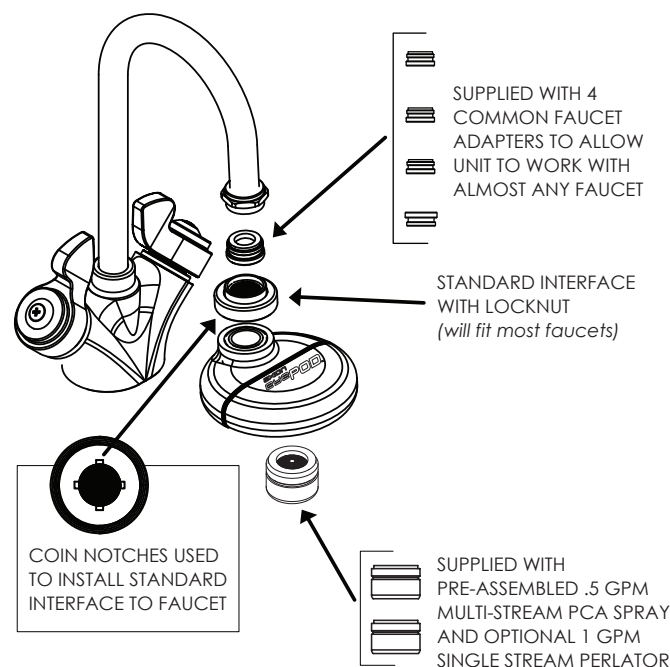
2. THE eyePOD™ IS SELF DRAINING WHEN PLACED IN THE FAUCET MODE. IT SHOULD ALWAYS BE RETURNED TO THE FAUCET MODE AFTER EYEWASH USE TO ALLOW FOR DRAINAGE.

NOTE: WHEN INSTALLING THIS UNIT, LOCAL, STATE, OR FEDERAL CODES SHOULD BE ADHERED TO.

NOTE: ANSI Z358.1 COMPLIANT WHEN PROPERLY INSTALLED IN A WATER SYSTEM PROVIDING PROPER PRESSURE, VOLUME AND TEMPERATURE.



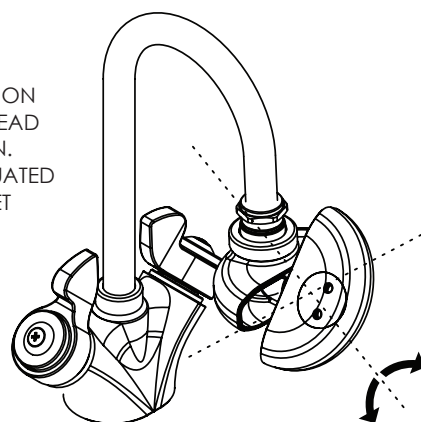
MODEL 7620



EASY TO USE ■ TURN ON FAUCET AND SELECT MODE OF OPERATION

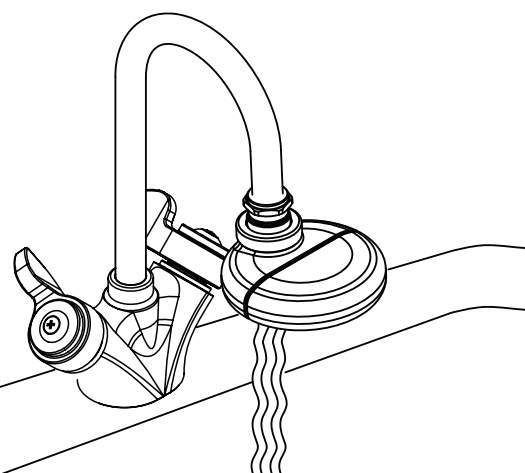
MODE SELECTION

THE eyePOD™ IS SWITCHED BETWEEN MODES OF OPERATION BY ROTATING THE HEAD IN EITHER DIRECTION. WATER IS STILL ACTUATED USING YOUR FAUCET CONTROLS.



ROTATE IN EITHER DIRECTION

FAUCET MODE



EYEWASH MODE

