

GREEN POWER KOHLER DIESEL ENGINE

1500 RPM	Type GP10.5LW
----------	---------------

The Engine with integrated Water cooling

Engine: KDW 1404

Technical description

- 4 stroke water-cooled diesel engine.
- Conical power take-off on the crankshaft.
- Counterclockwise rotation.
- Direct injection.
- Forced lubrication with oil pump.
- The centrifugal mass governor.
- Built-in full-flow oil filter.
- Oil breathing blow-by with the safety device.
- Automatic extra fuel starting device.
- Self bleeding fuel system.
- Torque Regulator.
- Automatic compression release.
- Die-cast aluminum crankcase with integrated cast iron cylinder liners.
- The aluminum alloy cylinder head.
- Built rigid feet.

Benefits

- Low noise emission, cost savings as no noise attenuation measures are required
- Low installation costs
- Excellent load takeover characteristics ensure prompt power supply
- Combined oil cooling and lubrication prevents corrosion and cavitation
- High reliability and durability together with reduced maintenance requirement and wear parts

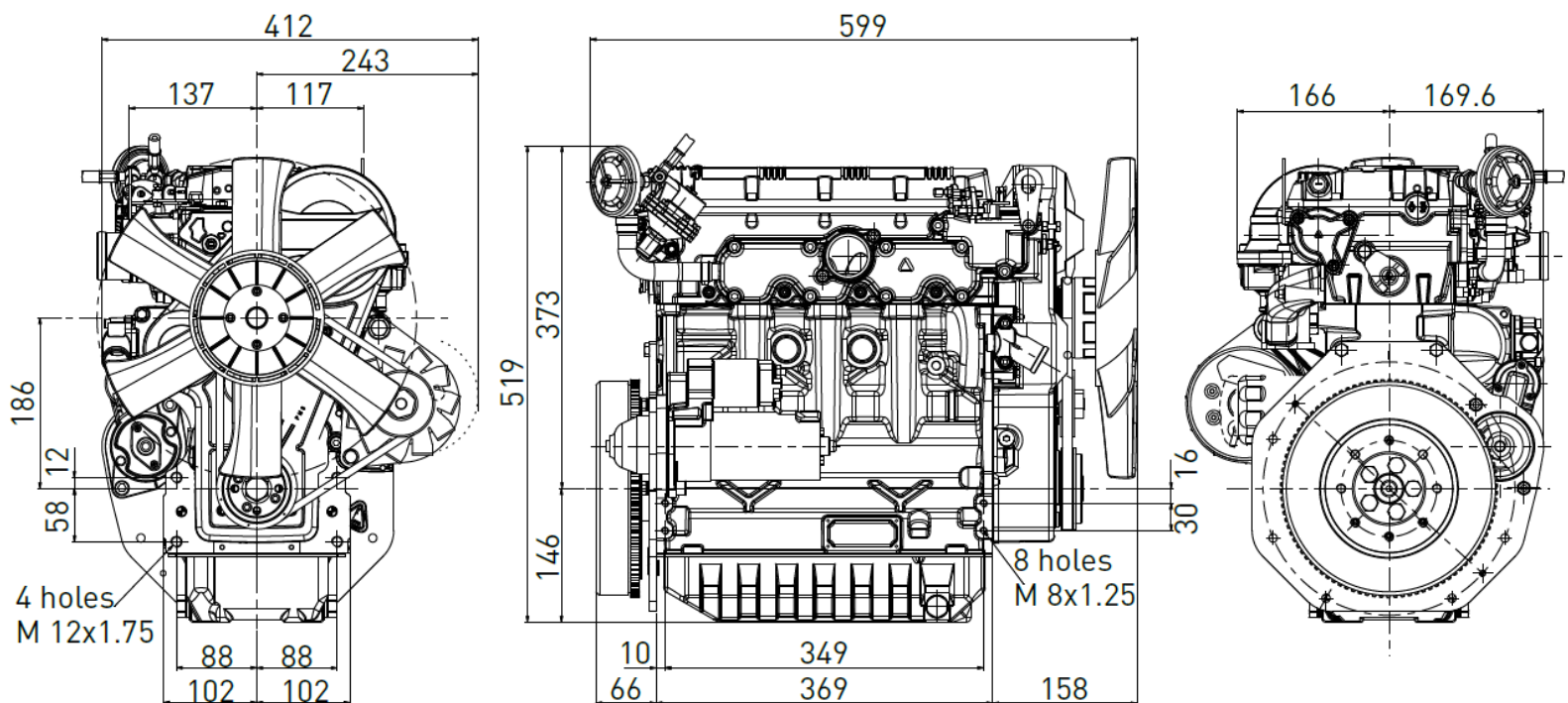
Scope of supply :

The engine and alternator are mounted together forming a rigid monoblock, the shoulders are connected by inflexible disc connection. The mono-block is mounted on a steel base frame through silent blocks. The base frame is including a fuel tank. Starting is electric and it contains a battery.

Rating Table : The Genset KDW 1404 Engine

Engine type		KDW 1404	
Speed	min ⁻¹ rpm	1500	
Frequency	Hz	50	
Engine Power			
Prime power (PRP)	kVA kW	10.5	8.4
Limited time running power (LTP)	kVA kW	12	9.6

Dimensions (mm)



Technical Data

Engine type	KDW 1404	
Numer of cylinder	4	
Bore x Stroke	mm	75 x 77.6
Displacement	cm ³	1372
Compression ratio	22.8:1	
Engine Power PRP	KW	8.4
Engine Power LTP	KW	9.6
Cooling Type	Water	
Injection Type	Indirect	
Oil sump capacity	Litres	3.2
Rating	KW/HP	11.0/15.0
Min idling speed	rpm	900

Special accessories

Power take-off flywheel side
 PTO with flanging and special shaft
 Internal dynamic balancer
 Oil bath air cleaner
 Electric start 12V / 24 V
 Keyswitch panel
 Emergency stop through electrovalve
 Accelerator and stop remote control
 Fuel lift pump
 Oil pressure switch
 Glow plug on intake manifold
 Recoil with denoising cover
 Grass protection for engine cooling
 Oil level sensor switch
 High capacity oil sump

Special accessories

Recoil starting
 Automatic compression release
 Dry air cleaner
 Fuel tank
 Muffler with guard
 Accelerator and stop manual control
 Manual compression release
 Automatic deaeration on injection pump
 Net oil filter
 Conical power take-off
 External fuel filter



Greenpower AB

Helsingborgsvägen Varalöv
 26296 Ängelholm, Sweden
 Tel: +46 431-22240
 E-mail: info@greenpower.se
 web:www.greenpower.se