

GREEN POWER PERKINS DIESEL ENGINE

1500 RPM	Type GP1360P
----------	--------------

The Engine with integrated water cooling

Engine: 4012-46TWG3A

Technical description

- Optimized cast iron cylinder block with optimum distribution of forces
- Piston cooling for low piston temperature and reduced ring temperature
- Powerful but 45.84 litre naturally aspirated 12 cylinder compact Engine
- Crankshaft hardened bearing surfaces and fillets for moderate on main and big end bearings
- Keystone top compression rings for long service life
- Replaceable valve guides and valve seats
- Thermostatically controlled system with gear driven circulation pump
- Lift eyelets
- High inertia flywheel to SAE J620
- Flywheel for flexible coupling and friction clutch
- Front engine mounting brackets

Benefits

- Low noise emission, cost savings as no noise attenuation measures are required
- Long service intervals: 1000 hour oil change intervals and low fuel consumption bring savings in Operating costs
- Low installation costs
- Excellent load takeover characteristics ensure prompt power supply
- Combined oil cooling and lubrication prevents corrosion and cavitation
- High reliability and durability together with reduced maintenance requirement and wear parts

Fuel System

- Mechanically governed cassette type fuel injection pump
- Split element fuel filter

Oil System

- Spin-on full flow lub oil filter
- Wet steel sump with filler and dipstick

Control Panel

Manual or Automatic start control panel

- 24 volt Electronic shut Off Solenoid(ESOS) energised to run
- 24 volt starter motor and 24 volt alternator with integral regulator DC output
- Glow plug cold start aid and heater/starter switch
- Oil pressure and coolant temperature switches

Rating Table : The Genset 4012-46TWG3A Engine.

Engine type	4012-46TWG3A		
Speed	min ⁻¹ rpm	1500	
Frequency	Hz	50	
Engine Power			
Prime power (PRP)	kVA kW	1360	1088
Limited time running power (LTP)	kVA kW	1496	1196.8
Fuel consumption			
Standby power	g/KWh l/hr	217	318
100 % of Prime power	g/KWh l/hr	212	283
75 % of Prime power	g/KWh l/hr	213	213
50 % of Prime power	g/KWh l/hr	226	151

PRP* kVA/KW :

Prime power is available for an unlimited number of annual hours in variable load application. A 10% overload capability is available for a period of 1 hour within a 12-hour period of operation.

LTP** kVA/KW :

The standby power rating is applicable for supplying emergency power for the duration of a utility power interruption. No overload, utility parallel or negotiated outage operation capability is available at this rating.

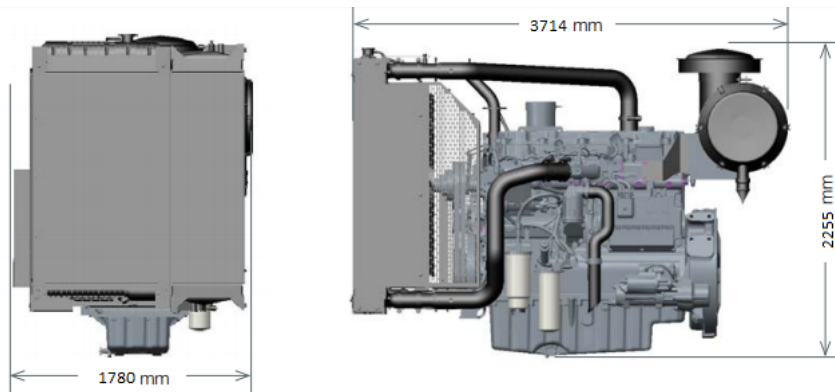
Scope of supply :

The engine and alternator are mounted together forming a rigid monoblock, the shoulders are connected by inflexible disc connection. The mono-block is mounted on a steel base frame through silent blocks. The base frame is including a fuel tank. Starting is electric and it contains a battery. The generator monitoring system consists of a control module.

Technical Data

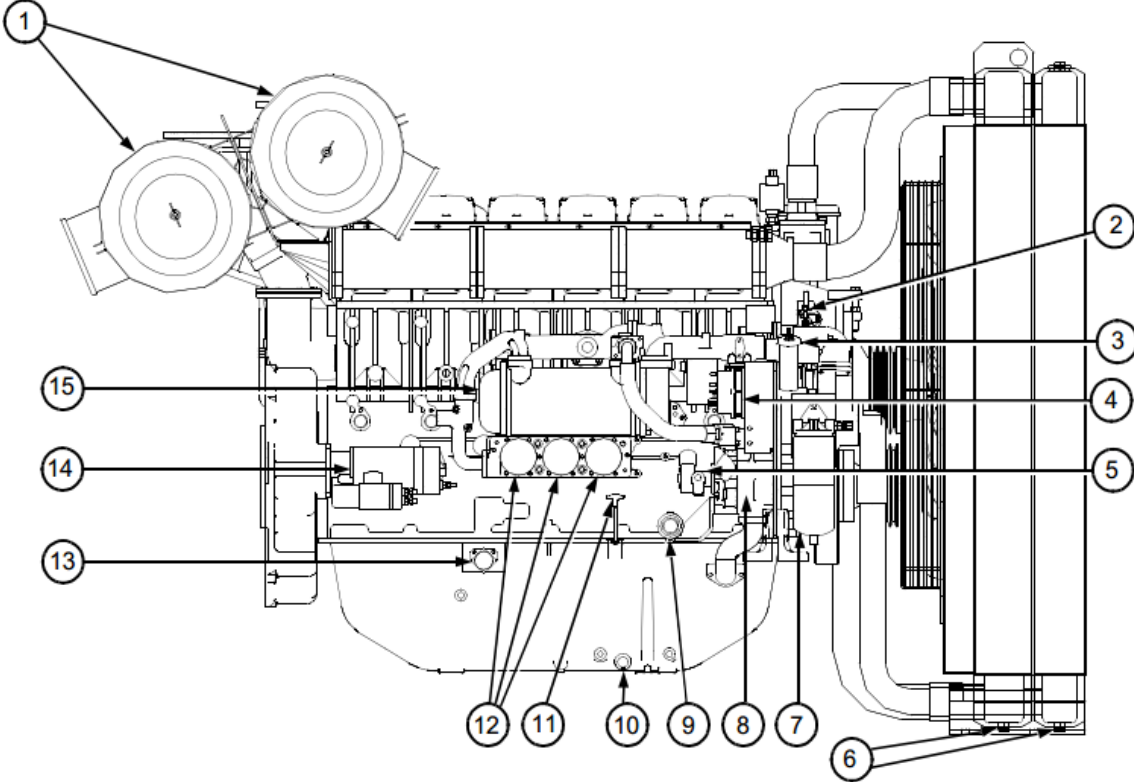
Engine type	4012-46TWG3A		
Numer of cylinder	12		
Bore x Stroke	mm	160 x 190	
Displacement	l	45.84	
Compression ratio	13.6:1		
Engine Power PRP	KW	1088	
Engine Power LTP	KW	1196.8	
Cooling Type	water		
Injection Type	Direct		
Dry weight	Kg	5283	
Max standby power at rated RPM	KW/HP	1263/1718	
Coolant capacity	Litres	201	
Battery	Ah	2000	
Oil Tank capacity	Litres	177	
Exhaust gas flow	m ³ /min	182	
Exhaust gas Temperature	°C	474	

Dimensions

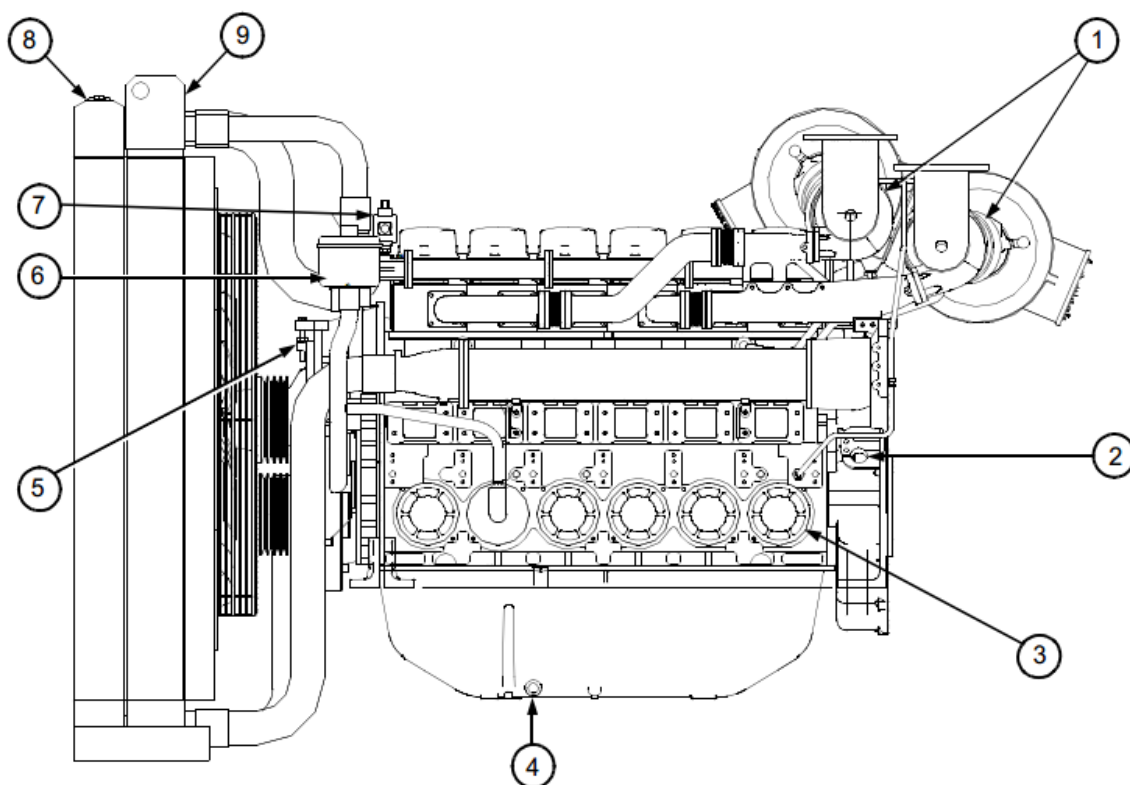


Engine type	Length	Width	Height
4012-46TWG3A	mm 3714	1780	2255

Engine Illustration



- Engine Description**
4012-46TWG3A
- 1 Twin air filters
 - 2 Governor lever
 - 3 Filler cap for the lubricating oil
 - 4 24 Volt alternator
 - 5 Fuel lift pump
 - 6 Radiator drain plugs
 - 7 Fuel filter/water separator
 - 8 Engine oil pump
 - 9 Fuel hand prime pump
 - 10 Drain plug for the lubricating
 - 11 Lubricating oil dipstick
 - 12 Lubricating oil filters
 - 13 Starter relay
 - 14 24 Volt Starter motor
 - 15 Lubricating oil cooler



Engine Description 4012-46TWG3A

- 1 Twin turbochargers
- 2 View hole for timing mark
- 3 Crankshaft inspection cover
- 4 Sump drain plug
- 5 Drive belt tension screw
- 6 Engine breather
- 7 Engine protection switch
- 8 Air to air charge cooler
- 9 Radiator