

## GREEN POWER PERKINS DIESEL ENGINE

---

1500 RPM	Type GP275P
----------	-------------

The Engine with integrated water cooling

**Engine:** 1506A-E88TAG4

### Technical description

- Optimized cast iron cylinder block with optimum distribution of forces
- Piston cooling for low piston temperature and reduced ring temperature
- Powerful but 8.8 litre naturally aspirated 6 cylinder compact Engine
- Crankshaft hardened bearing surfaces and fillets for moderate on main and big end bearings
- Keystone top compression rings for long service life
- Replaceable valve guides and valve seats
- Thermostatically controlled system with gear driven circulation pump
- Lift eyelets
- High inertia flywheel to SAE J620
- Flywheel for flexible coupling and friction clutch
- Front engine mounting brackets

### Benefits

- Low noise emission, cost savings as no noise attenuation measures are required
- Long service intervals: 1000 hour oil change intervals and low fuel consumption bring savings in Operating costs
- Low installation costs
- Excellent load takeover characteristics ensure prompt power supply
- Combined oil cooling and lubrication prevents corrosion and cavitation
- High reliability and durability together with reduced maintenance requirement and wear parts

### Fuel System

- Mechanically governed cassette type fuel injection pump
- Split element fuel filter

### Oil System

- Spin-on full flow lub oil filter
- Wet steel sump with filler and dipstick

## Control Panel

### Manual or Automatic start control panel

- 12 volt Electronic shut Off Solenoid(ESOS) energised to run
- 12 volt starter motor and 12 volt 15 amp alternator with DC output
- Glow plug cold start aid and heater/starter switch
- Oil pressure and coolant temperature switches

### Rating Table : The Genset 1506A-E88TAG4 Engine.

<b>Engine type</b>	1506A-E88TAG4		
Speed	min <sup>-1</sup>   rpm	1500	
Frequency	Hz	50	
<b>Engine Power</b>			
Prime power (PRP)	kVA   kW	275	220
Limited time running power (LTP)	kVA   kW	302	242
<b>Fuel consumption</b>			
Standby power	g/KWh   l/hr	200	66
Prime power	g/KWh   l/hr	198	60
75 % Load	g/KWh   l/hr	200	46
50 % Load	g/KWh   l/hr	207	32

### PRP\* kVA/KW :

Prime power is available for an unlimited number of annual hours in variable load application. A 10% overload capability is available for a period of 1 hour within a 12-hour period of operation.

### LTP\*\* kVA/KW :

The standby power rating is applicable for supplying emergency power for the duration of a utility power interruption. No overload, utility parallel or negotiated outage operation capability is available at this rating.

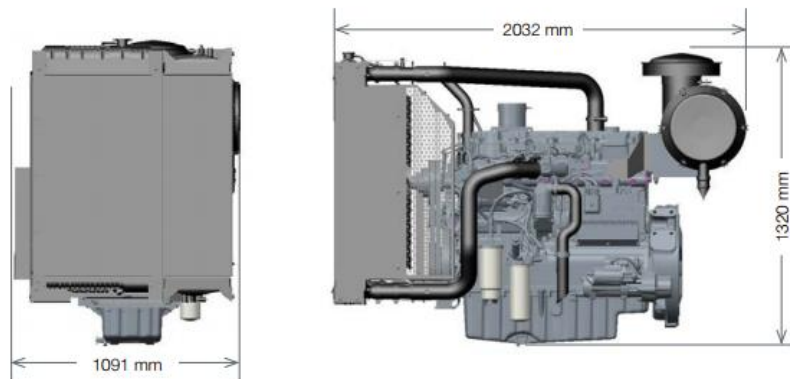
### Scope of supply :

The engine and alternator are mounted together forming a rigid monoblock, the shoulders are connected by inflexible disc connection. The mono-block is mounted on a steel base frame through silent blocks. The base frame is including a fuel tank. Starting is electric and it contains a battery. The generator monitoring system consists of a control module.

## Technical Data

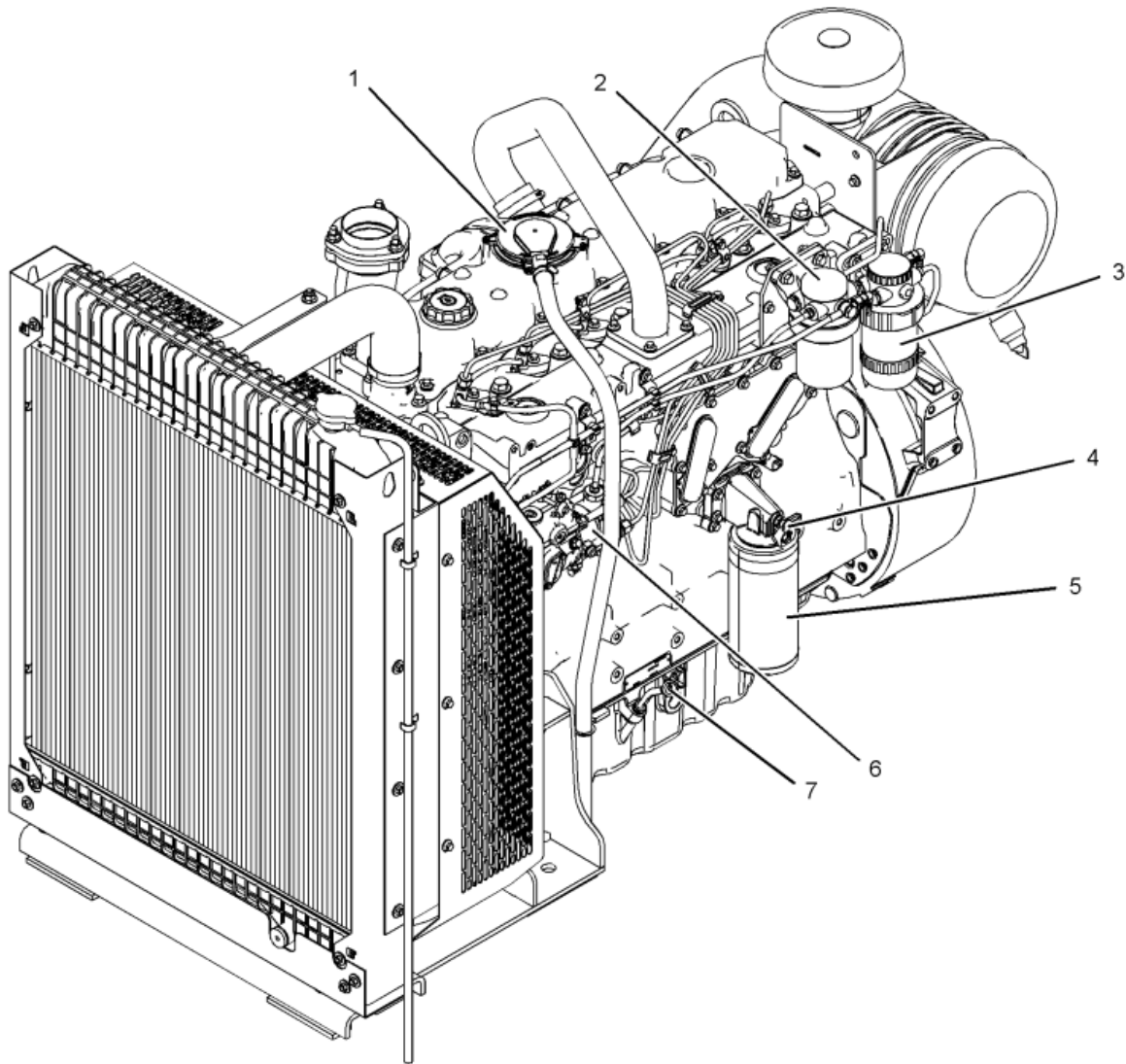
Engine type	<b>1506A-E88TAG4</b>	
Numer of cylinder	<b>6</b>	
Bore x Stroke	mm	112 x 149
Displacement	l	8.8
Compression ratio	16.1:1	
Engine Power PRP	KW	220
Engine Power LTP	KW	242
Cooling Type	water	
Injection Type	Indirect	
Dry weight	Kg	1183
Max standby power at rated RPM	KW/HP	250/335
Coolant capacity	Litres	33.2
Battery	Ah	400
Oil Tank capacity	Litres	41.0
Exhaust gas flow	m <sup>3</sup> /min	48.8
Exhaust gas Temperature	°C	576

## Dimensions



Engine type	Length	Width	Height
<b>1506A-E88TAG4</b> mm	2032	1091	1320

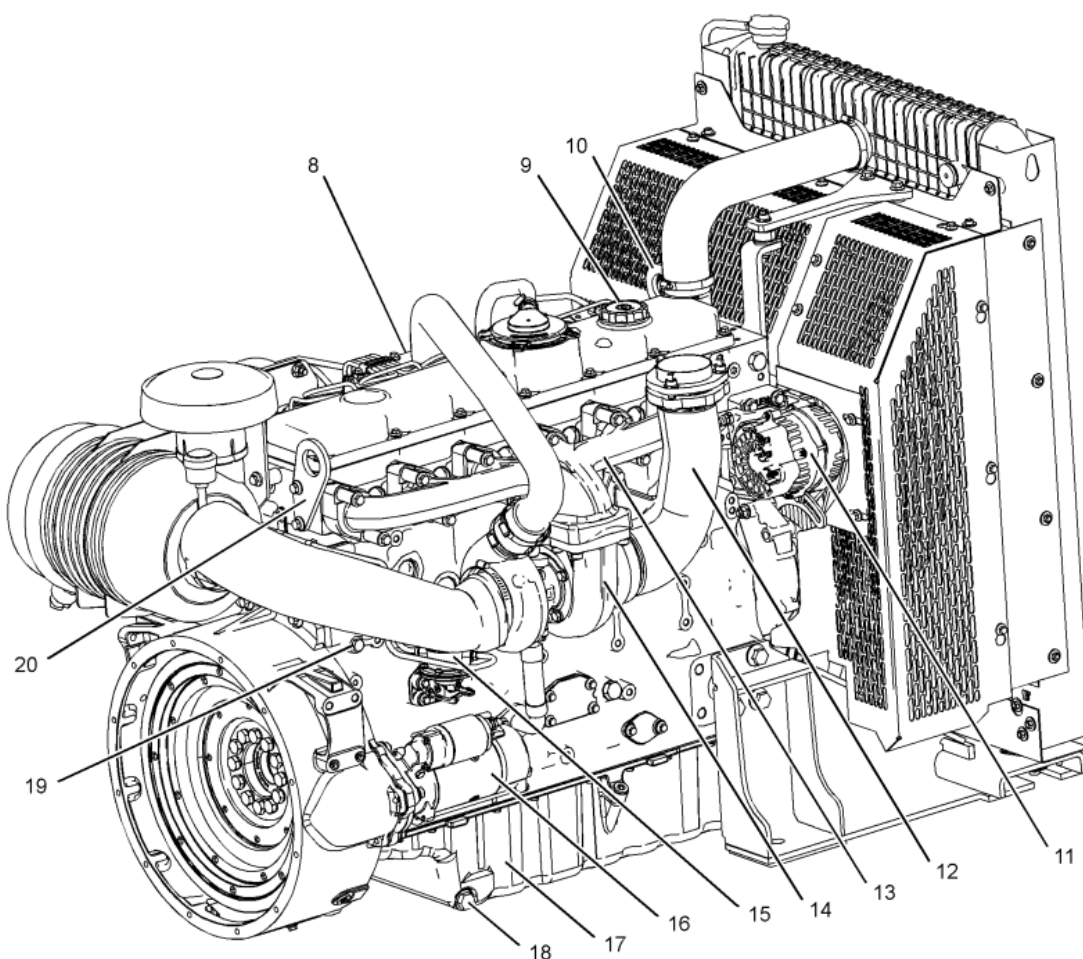
# Engine Illustration



## Engine Description

1506A-E88TAG4

- 1 Crankcase breather
- 2 Secondary fuel filters
- 3 Primary fuel filter
- 4 Oil sampling valve
- 5 Oil filter
- 6 Fuel injection pump
- 7 Oil gauge (dipstick)



### Engine Description

1506A-E88TAG4

- 8 Air intake
- 9 Oil filler
- 10 Front lifting eye
- 11 Alternator
- 12 Exhaust elbow
- 13 Exhaust manifold
- 14 Turbocharger
- 15 Fuel priming pump
- 16 Starting motor
- 17 Oil pan
- 18 Drain plug (oil)
- 19 Drain plug (coolant)
- 20 Rear lifting eye