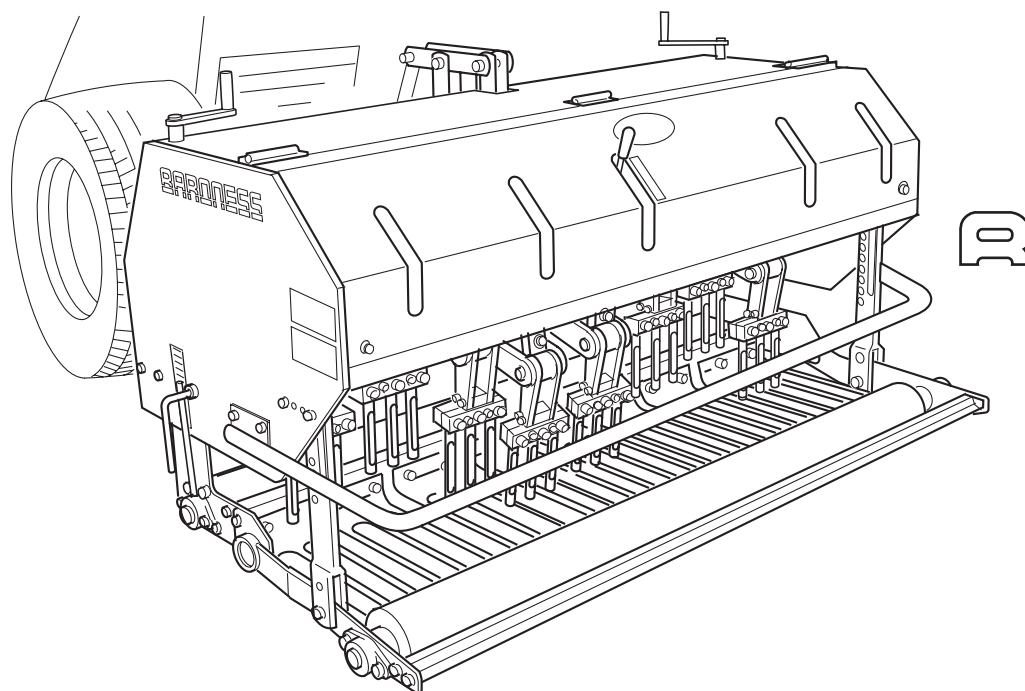


**BARONESS**®**TDA1600**

Tractor-Setting Type Deep Aerator

## Parts catalog

**BARONESS**®  
Quality on Demand

BEVATTNINGSTEKNIK AB  
Helsingborgsvägen 578, Varalöv  
262 96 ÄNGELHOLM, SWEDEN

Telefon: +46 431 22250  
Email : [info@bevattningsteknik.se](mailto:info@bevattningsteknik.se) eller [philip@bevattningsteknik.se](mailto:philip@bevattningsteknik.se)  
[www.bevattningsteknik.se](http://www.bevattningsteknik.se)

# CONTENTS

CONTENTS .....	1
Parts Catalog .....	2
1.Frame and cover .....	3
2.Front/rear rollers .....	5
3.Gearbox .....	7
4.Crank .....	9
5.Accessories and options .....	13

# BARONNESS

## Maintenance Machine

Tractor-Setting Type Deep Aerator ***TDA1600***

### Parts Catalog

**(Inquiry about the machine)**

The models may change sequentially. When making an inquiry about this machine, please advise us of the model and serial number.  
The contents of this catalog are subject to change without notice.

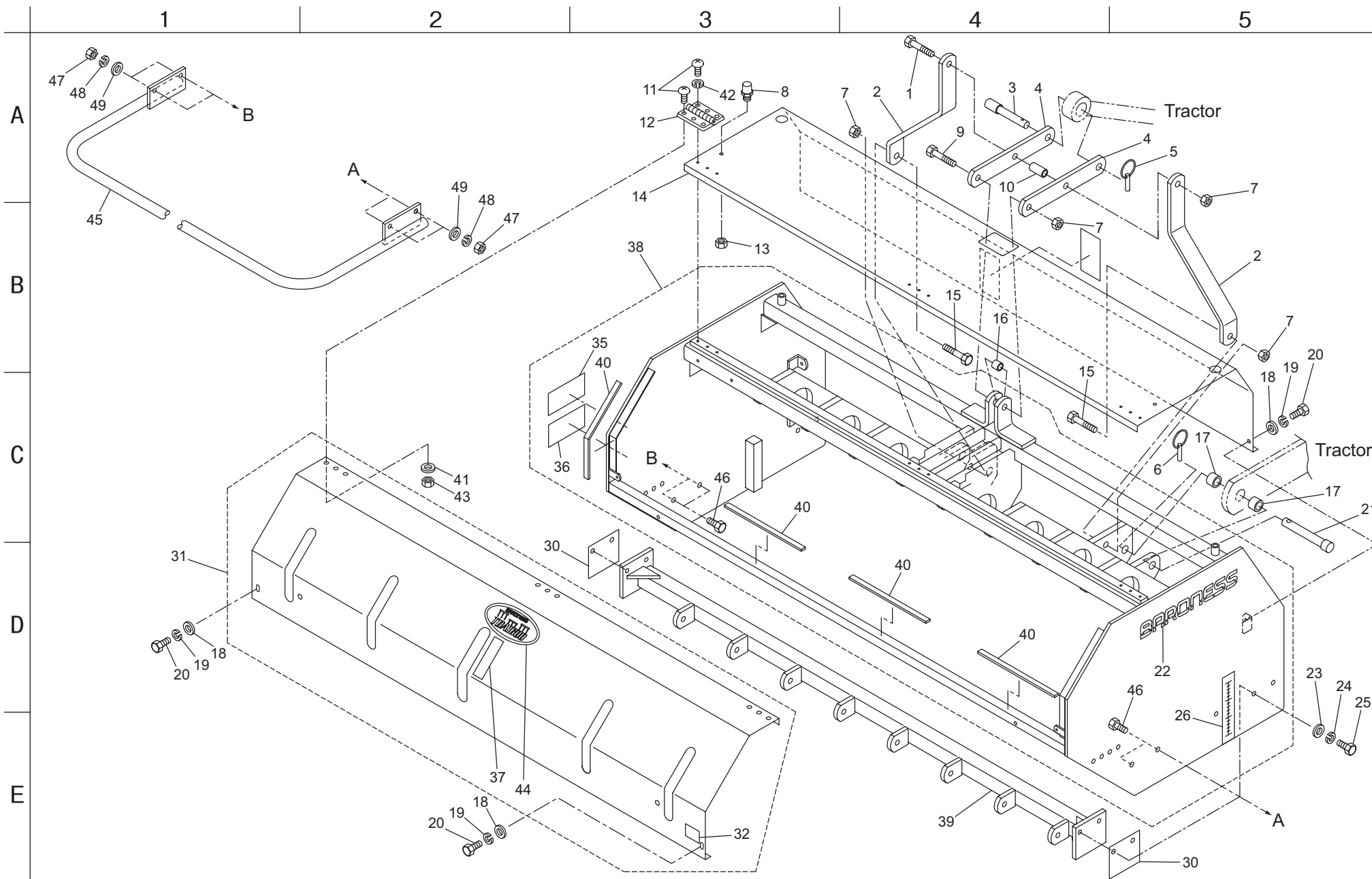
**(Placing an order for parts)**

Parts are computer controlled. However, in order to prevent delivery of wrong parts, please describe the catalog No., code No., and part name when placing an order.

Example	:	Catalog No.	Code No.	Part name	Qty
		1-1	K0013161201	16 heat treated bolt 120	1

# 1. Frame and cover

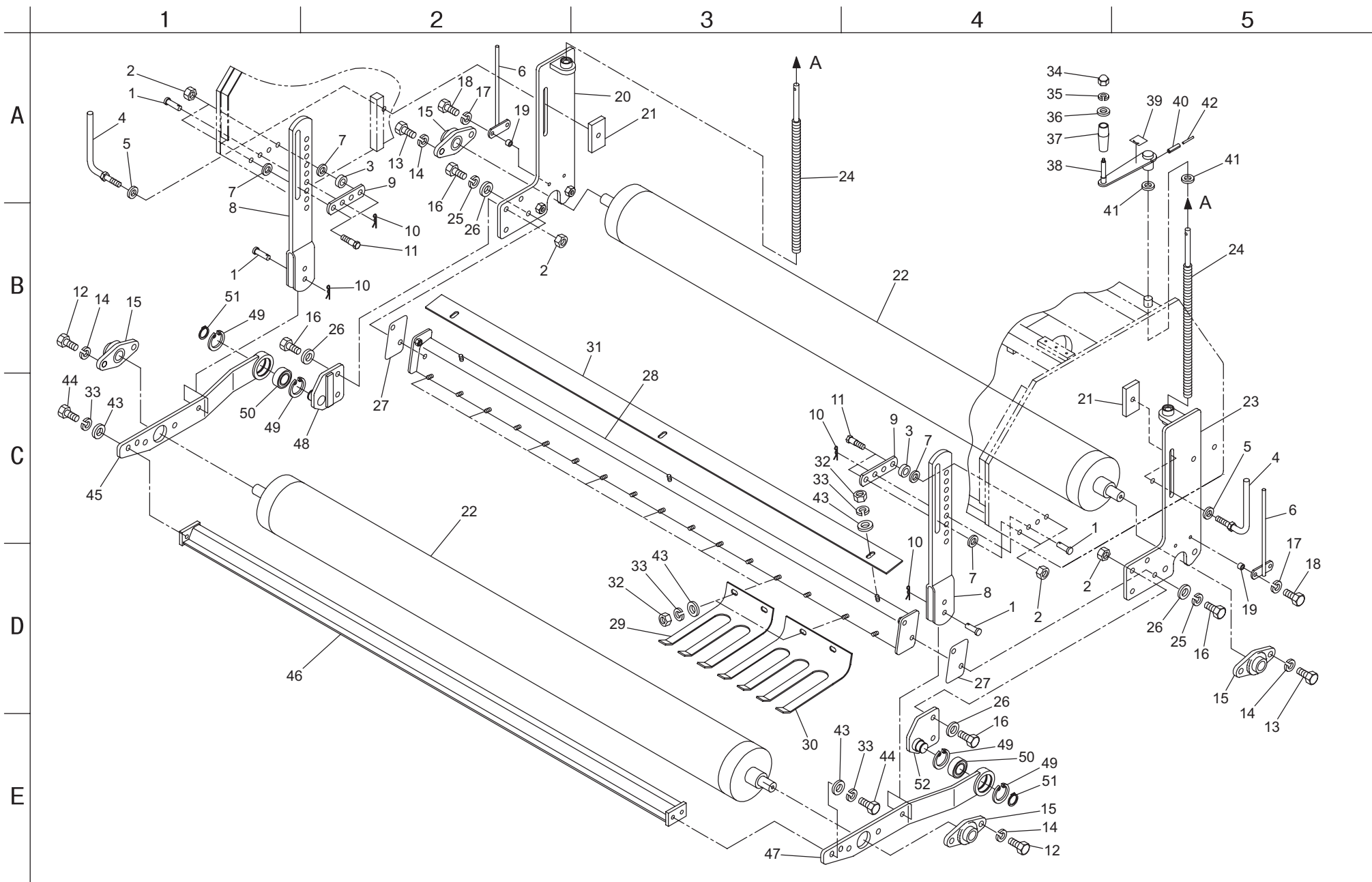
TDA1600





## 2. Front/rear roller

TDA1600



Cat No.	Code No.	Part name	Qty	Remarks
2 - 1	K6031120403	12 hardened flat head pin 40	4	
2 - 2	K0144120002	12U nut	8	
2 - 3	K6212002362	13.5STKM collar 2214	2	
2 - 4	TDA12000125A8	Roller holding fixture	2	
2 - 5	K0213120002	12 disc spring washer 1H	2	
2 - 6	TDA12000122ZD	Depth gauge	2	
2 - 7	K5012312222	2.3SPCC washer 1222	4	
2 - 8	TDA12000123ZD	Roller hanger	2	
2 - 9	TDA12000124ZD	Roller holding plate	2	
2 - 10	K0361000008	10KS snap pin	4	
2 - 11	K0071000372	Hydraulic motor bolt	4	
2 - 12	K0010140302	14 heat treated bolt 30	4	
2 - 13	K0013140452	14 heat treated bolt 45	4	
2 - 14	K0200140002	14S washer	8	
2 - 15	K0661205000	Square flange unit UCFL205	4	
2 - 16	K0010120402	12 heat treated bolt 40	8	
2 - 17	K0200080002	8S washer	4	
2 - 18	K0000080302	8 bolt 30	4	
2 - 19	K6212000982	8.5STKM collar 149.5	4	
2 - 20	TDA16000105ZD	Front roller bracket left 8	1	
2 - 21	TDA12000115ZD	Tightening plate	2	
2 - 22	TDA16000107AD	Roller	2	
2 - 23	TDA16000104ZD	Front roller bracket right 8	1	
2 - 24	TDA12000106Z0	Adjusting screw	2	
2 - 25	K0200120002	12S washer	4	
2 - 26	K5000120002	12 washer	8	
2 - 27	TDA16000119Z2	Adjusting plate A	0-2	For adjustment
2 - 28	TDA16000118ZD	Lawn pusher mounting bracket	1	
2 - 29	TDA12000332ZD	Lawn push plate A	7	
2 - 30	TDA12000333ZD	Lawn push plate B	1	
2 - 31	TDA16000121ZD	Scraper	1	
2 - 32	K0100100002	10 nut	19	
2 - 33	K0200100002	10S washer	23	
2 - 34	K0100060002	6 nut	2	
2 - 35	K0200060002	6S washer	2	

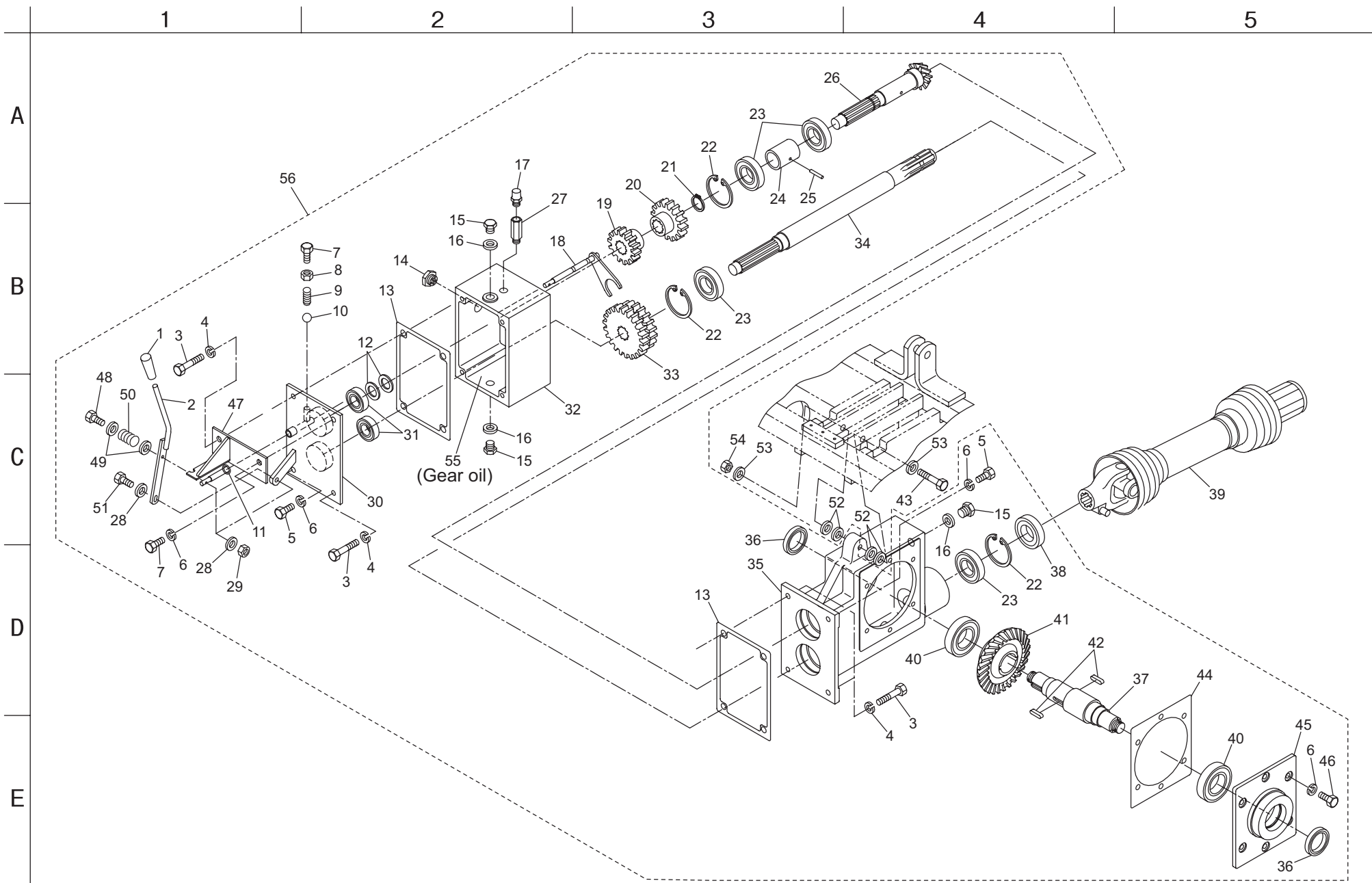
Cat No.	Code No.	Part name	Qty	Remarks
2 - 36	K5000060002	6 washer	2	
2 - 37	K1301000120	25 lever grip 70	2	
2 - 38	K7100000112	Up-down handle	2	
2 - 39	K4203001400	Depth adjusting handle plate	2	
2 - 40	K0320050251	5 spring pin 25	2	
2 - 41	K5021012200	1NBS55 washer 1220	4	
2 - 42	K0320030251	3 spring pin 25	2	
2 - 43	K5000100002	10 washer	23	
2 - 44	K0010100252	10 heat treated bolt 25	4	
2 - 45	TDA16000140ZD	Rear roller bracket 8 left	1	
2 - 46	TDA16000142ZD	Scraper 8	1	
2 - 47	TDA16000141ZD	Rear roller bracket 8 right	1	
2 - 48	TDA16000143ZD	Bracket mounting plate left	1	
2 - 49	K0402047001	Stop ring R47	4	
2 - 50	K0613060050	Bearing 60052RDC3	2	
2 - 51	K0401025001	Stop ring S25	2	
2 - 52	TDA16000144ZD	Bracket mounting plate right	1	

2. Front/rear roller

TDA1600

### 3. Gearbox

TDA1600





Cat No.	Code No.	Part name	Qty	Remarks
3 - 1	K1300000070	9 grip black 22	1	
3 - 2	TDA12000210Z2	Change lever	1	
3 - 3	K0071000652	10 knock bolt 50	4	
3 - 4	K0200120002	12S washer	4	
3 - 5	K0000100252	10 bolt 25	3	
3 - 6	K0200100002	10S washer	10	
3 - 7	K0000100302	10 bolt 30	2	
3 - 8	K0100100002	10 nut	1	
3 - 9	K1000000021	1.4 compression spring 7.816	1	
3 - 10	K1500800000	8 steel ball	1	
3 - 11	K0880011000	O-ring P11	1	
3 - 12	K5073225402	3.2SPHC washer 2540	2	
3 - 13	TDA12000215Z0	Packing A	2	
3 - 14	K1400000044-Y	PF 3/4 oil qty M type	1	
3 - 15	K1410000042-Y	14 plug P1.5	3	
3 - 16	K0920140000	14 seal washer S1	3	
3 - 17	K1430000012	Air breather PT 1/8	1	
3 - 18	TDA12000209A0	Shifter fork	1	
3 - 19	TDA12000208Z0	2-shaft 14-tooth gear	1	
3 - 20	TDA12000207Z0	2-shaft 16-tooth gear	1	
3 - 21	K0401030001	Stop ring S30	1	
3 - 22	K0402072001	Stop ring R72	3	
3 - 23	K0600062070	Bearing 6207	4	
3 - 24	K6215000270	35STKM collar with hole 45.158	1	
3 - 25	K0320060451	6 spring pin 45	1	
3 - 26	TDA12000205Z0	Derive shaft B	1	
3 - 27	TDA12000223Z2	Air breather pipe	1	
3 - 28	K5000060002	6 washer	3	
3 - 29	K0144060002	6U nut	2	
3 - 30	TDA12000203AR	Gearbox cover	1	
3 - 31	K0600062050	Bearing 6205	2	
3 - 32	TDA12000202ZR	Crank gearbox B	1	
3 - 33	TDA12000206Z0	1-shaft 20-tooth, 22-tooth gear	1	
3 - 34	TDA12000204Z0	Drive shaft A	1	
3 - 35	TDA12000201AR	Crank gearbox A	1	

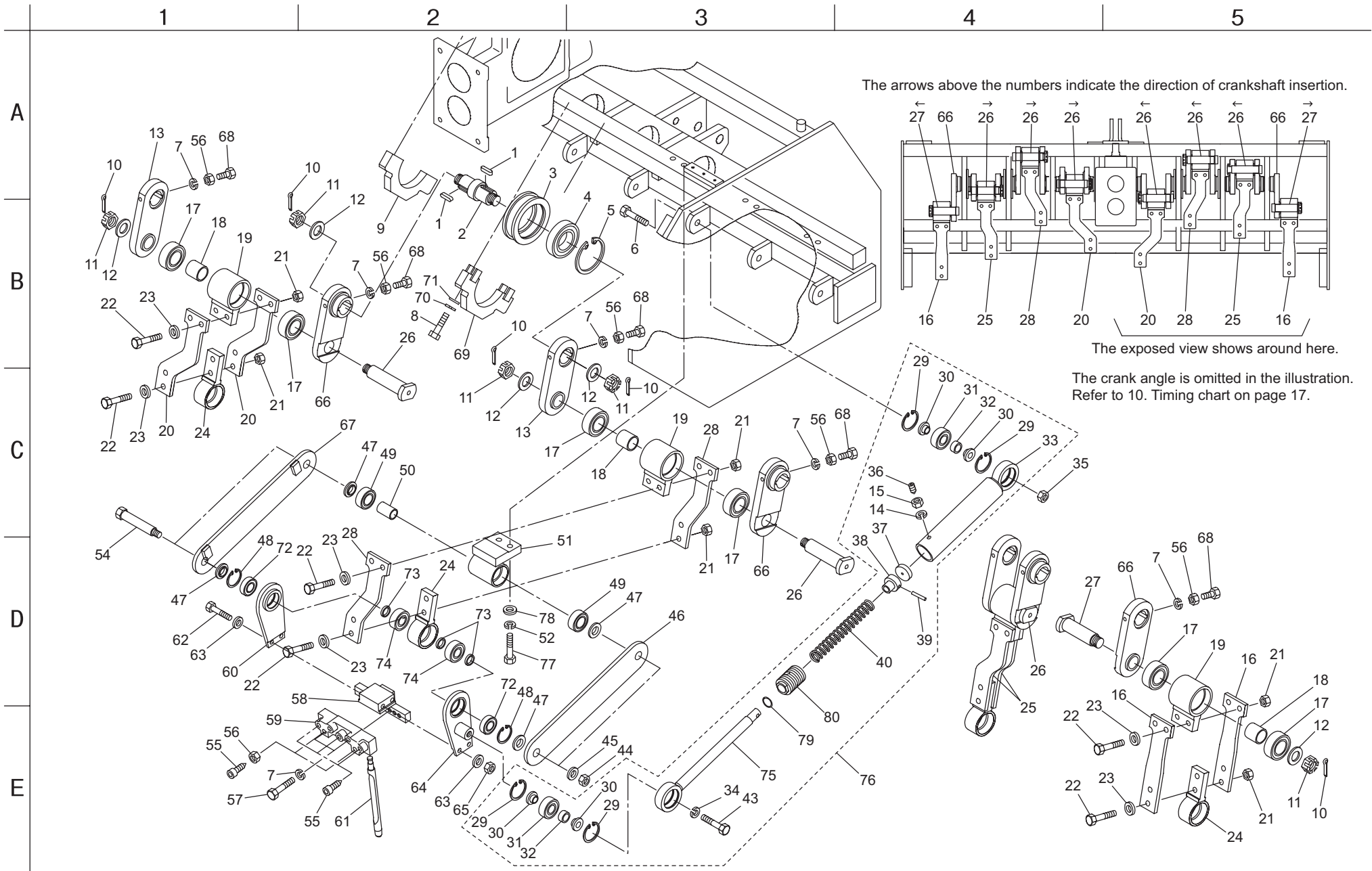
Cat No.	Code No.	Part name	Qty	Remarks
3 - 36	K0824062080	Oil seal MHSA40628	2	
3 - 37	TDA16000214Z0	Drive shaft C8	1	
3 - 38	K0862000050	Oil seal UE35729	1	
3 - 39	K1620000210	Drive shaft AS205-N400	1	
3 - 40	K0600062090	Bearing 6209	2	
3 - 41	TDA12000213Z0	30-tooth bevel gear	1	
3 - 42	K0500808310	8 both-end round key 831.5	2	
3 - 43	K0013121002	12 heat treated bolt 100	1	
3 - 44	TDA12000216Z0	Packing B	1	
3 - 45	TDA12000212AR	Crankshaft housing	1	
3 - 46	K0000100202	10 bolt 20	6	
3 - 47	TDA12000220ZR	Change guide	1	
3 - 48	K0000060502	6 bolt 50	1	
3 - 49	K5012306202	2.3SPCC washer 620	2	
3 - 50	K1000000309	1.6 compression spring 13.720	1	
3 - 51	K0000060252	6 bolt 25	1	
3 - 52	K6210000272	12.2 collar 256	4	
3 - 53	K5073212252	3.2SPCC washer 1225	2	
3 - 54	K0144120002	12U nut	1	
3 - 55	K2915000200	Gear oil VG680 20L can	-	Consumption = 3.8 L
3 - 56	TDA16000222Z0	Gearbox Ass'y	1	

### 3. Gearbox

TDA1600

# 4. Crank

# TDA1600



Cat No.	Code No.	Part name	Qty	Remarks
4 - 1	K0500808310	8 both-end round key 831.5	28	
4 - 2	TDA16000302Z0	Drive shaft 8	6	
4 - 3	TDA12000304ZR	Crank housing	6	
4 - 4	K0608062090	Bearing 62092RS	6	
4 - 5	K0402085001	Stop ring R85	6	
4 - 6	K0013140502	14 heat treated bolt 50	8	
4 - 7	K0200100002	10S washer	44	
4 - 8	K0013120702	12 heat treated bolt 70	16	
4 - 9	TDA12000121AR	Housing mounting plate	2	
4 - 10	K0300032402	3.2 cotter pin 40	22	
4 - 11	TDA12000370Z8	24 nut B	22	
4 - 12	K0212240001	24 disc spring washer 1L	22	
4 - 13	TDA12000301AR	Crank bracket	6	
4 - 14	K0200080002	8S washer	8	
4 - 15	K0100080002	8 nut	8	
4 - 16	TDA16000308ZR	Upper arm D1	4	
4 - 17	K0612062060	Bearing 62062RD	16	
4 - 18	K6212002370	30STKM collar 3635	8	
4 - 19	TDA12000305AR	Upper housing	8	
4 - 20	TDA16000305ZR	Upper arm A1	4	
4 - 21	K0144120002	12U nut	32	
4 - 22	K0010120602	12 heat treated bolt 60	32	
4 - 23	K5000120002	12 washer	32	
4 - 24	TDA16000310ZR	Lower housing A8	8	
4 - 25	TDA16000307ZR	Upper arm C1	4	
4 - 26	TDA12000371Z0	Crankshaft A24	6	
4 - 27	TDA12000372Z0	Crankshaft B24	2	
4 - 28	TDA16000306ZR	Upper arm B1	4	
4 - 29	K0402047001	Stop ring R47	32	
4 - 30	TDA12000323Z2	Box lock collar	32	
4 - 31	K0613060050	Bearing 60052RDC3	16	
4 - 32	TDA12000324Z0	Urethane collar	16	
4 - 33	TDA16000318ZD	Spring box 8	8	
4 - 34	K0200140002	14S washer	8	
4 - 35	K0144140002	14U nut	8	

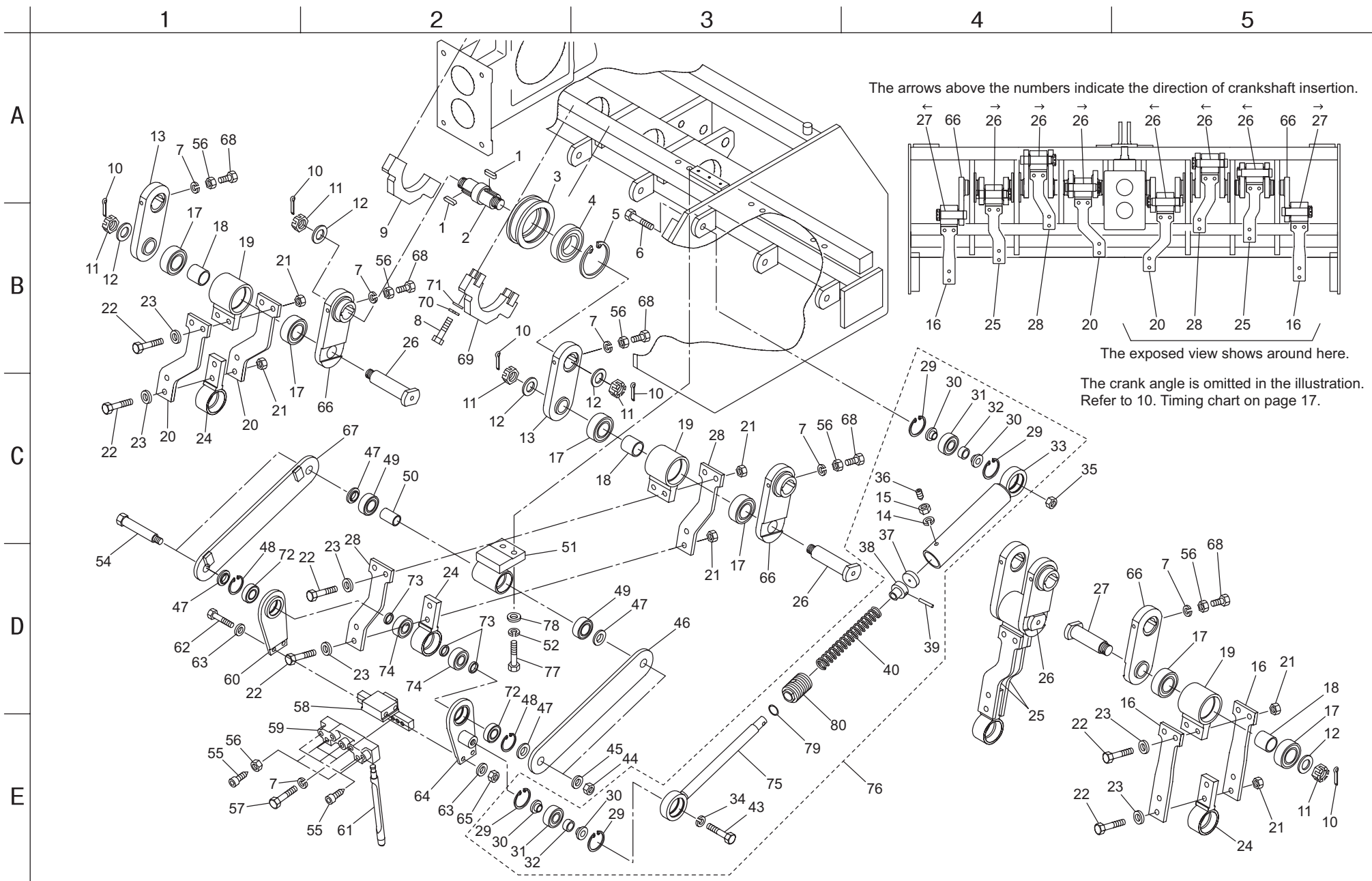
Cat No.	Code No.	Part name	Qty	Remarks
4 - 36	K0028080200	8 stainless hollow set 20	8	
4 - 37	TDA12000327Z0	Urethane seat	8	
4 - 38	TDA12000365Z0	Spring clamping ring	8	
4 - 39	K0324080351	8 spiral pin 35	8	
4 - 40	K1000000890	5 compression spring 36210	8	
4 - 41				
4 - 42				
4 - 43	K0013140452	14 heat treated bolt 45	8	
4 - 44	K0145140002	14U nut P1.5	16	
4 - 45	K0212140002	14 disc spring washer 1L	16	
4 - 46	TDA16000314ZR	Lower arm 8	8	
4 - 47	TDA16000336Z2	BG collar 8	32	
4 - 48	K0402042001	Stop ring R42	16	
4 - 49	K0612062040	Bearing 62042RD	16	
4 - 50	K6212000180	20.2STKM collar 25.440	8	
4 - 51	TDA12000315ZR	Lower housing B	8	
4 - 52	K0200120002	12S washer	16	
4 - 53				
4 - 54	TDA16000335Z0	Arm shaft B8	16	
4 - 55	K0071001110	10 stainless steel hexagon socket head special bolt 30	40	
4 - 56	K0100100002	10 nut	44	
4 - 57	K0010100602	10 heat treated bolt 60	16	
4 - 58	TDA16000317ZR	Tine holder 8	8	
4 - 59	TDA12000325A2	Φ12 Φ18 tine mounting plate	8	
4 - 60	TDA16000315BR	Tine holder A	8	
4 - 61	K2590000220	Φ17V tine 215	24	
4 - 62	K0013100902	10 heat treated bolt 90	16	
4 - 63	K5000100002	10 washer	32	
4 - 64	TDA16000316BR	Tine holder B	8	
4 - 65	K0144100002	10U nut	16	
4 - 66	TDA12000361AR	Crank metal fittings A	8	
4 - 67	TDA16000363ZR	Lock plate 8	8	
4 - 68	K0010100402	10 heat treated bolt 40	28	
4 - 69	TDA12000130AR	Housing mounting plate A	6	
4 - 70	K0200120002	12S washer	16	

#### 4. Crank

TDA1600

# 4. Crank

# TDA1600



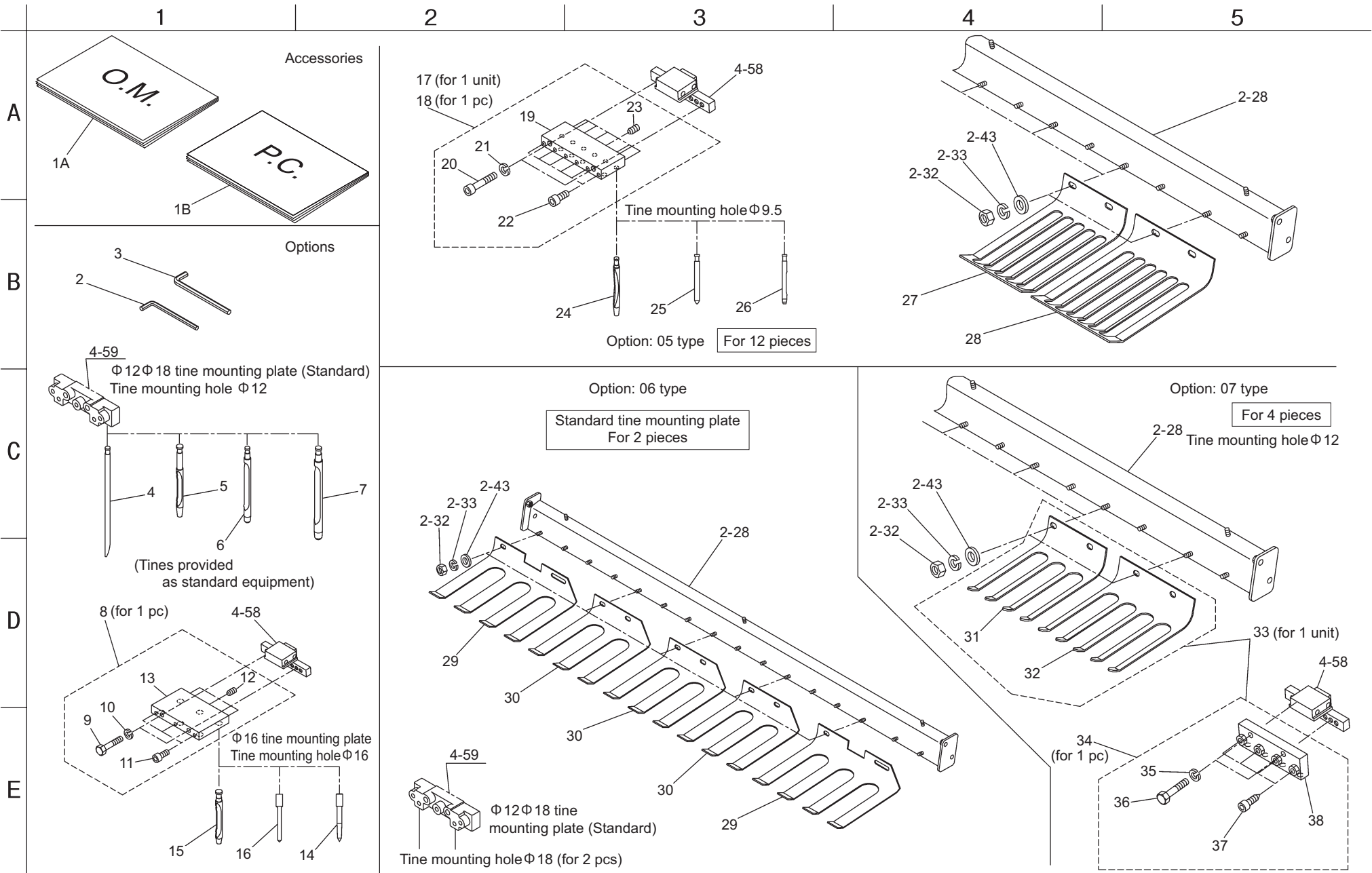
Cat No.	Code No.	Part name	Qty	Remarks
4 - 71	K5012312222	2.3SPCC washer 1222	16	
4 - 72	K0612060040	Bearing 60042RD	16	
4 - 73	K6212000160	20.2STKM collar 25.44.75	24	
4 - 74	K0617063040	Bearing 63042NSE	16	
4 - 75	TDA16000364ZD	Spring shaft 8	8	
4 - 76	TDA16000373A0	Spring box 8 Ass'y	8	
4 - 77	K0010120502	12 heat treated bolt 50	16	
4 - 78	K5074512252	4.5SPHC washer 1225	16	
4 - 79	K0880022000	O-ring P22	8	
4 - 80	TDA12000375ZD	Clamp A	8	

Cat No.	Code No.	Part name	Qty	Remarks

4. Crank	TDA1600
----------	---------

# 5. Accessories and options

# TDA1600







**Postadress:**

TRÄDGÅRDSTEKNIK AB  
Helsingborgsvägen 578, Varalöv  
262 96 ÄNGELHOLM

Telefon : 0431-222 90  
Bg.nr : 5743-7980  
Org.nr : 556409-6120

**URL:**

[www.tradgardsteknik.se](http://www.tradgardsteknik.se)  
E-postadress:  
[info@tradgardsteknik.se](mailto:info@tradgardsteknik.se)