

Bevattningsteknik ingått samarbete med VALLEY, kan idag presentera

Linears



RELIABLE
DRIVE TRAINS

DURABLE
STRUCTURES

PRECISE
APPLICATIONS

ADVANCED
TECHNOLOGIES

RESPONSIVE
DEALERS

Linear GPS Guidance Now Available



Linear Irrigation Offers Options



As a grower, you understand that anything you can do to maximize your field's yields and increase your bottom line is worth a look. That's why Valley wants you to evaluate your field to see if linear irrigation is a fit for you. Valley Linears provide returns not found in other irrigation equipment, including increased coverage and flexibility.

Take advantage of what Valley Linears can offer your operation:

- Maximized irrigated areas
- Reduced labor costs
- Water conservation
- Elimination of runoff with certain soil types
- A farm management tool for various applications

Linear equipment is often times seen as one of the most highly efficient methods of irrigation. Bevattningssteknik can help you assess your situation, considering the complete irrigation system – including water source, delivery and field application. Bevattningssteknik will ensure linear irrigation gives you what you need – peace of mind and the potential for greater profitability.

It's More Than Just Irrigation

Valley Linears give you more than just an irrigation solution. Linears offer benefits you will see the moment they begin irrigating your field.

Maximize irrigated area – A linear typically irrigates 92% to 98% of a square or rectangular field.

Reduce labor costs – A linear can reduce your labor as much as 50% compared with surface, side roll or hand move irrigation.

Maximize crop production with limited resources – Linears conserve water by applying only the amount of water that's needed, where it's needed.

Irrigate difficult soil types effectively – Linear irrigation delivers lower rates of water as compared to the outer portion of a pivot. This can help eliminate runoff when irrigating on certain soil types.

A multi-purpose farm tool – Linear irrigation does more than just irrigate, it may be used to provide your farm management program with chemigation, fertigation, germination and leaching.



Valley Linear with below-ground guidance

GPS Position and Guidance Options



AutoPilot GPS Ready Control

GPS Ready controls now mean growers can easily take advantage of the benefits that GPS Technology offers:

- Enhanced management capabilities
- Precision application of water, fertilizers and crop inputs
- Higher yield potential and lower input costs

Producers can program GPS Ready control panels to apply different levels of water, fertilizers or other inputs within the same field based on data the GPS receiver collects and feeds to the control panel. In turn, producers don't have to invest in applying inputs where they aren't needed or can apply extra if required. GPS Ready technology provides growers with better management tools and with the high costs of fuel, fertilizer, water and other inputs, this technology is a logical choice.



AutoPilot – Linear Control Panel

The AutoPilot linear control panel is the first computerized control panel with GPS Ready technology providing GPS positioning for linear irrigation.

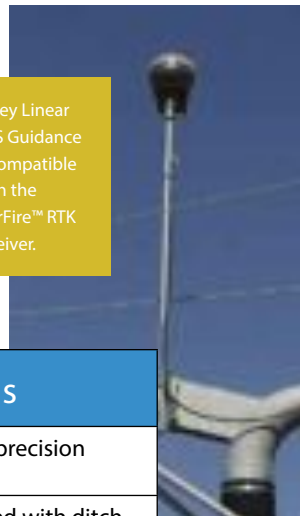
The Irrigation Association and the ASABE awards reinforce the commitment of value and performance that Valley Advanced Technologies strive to achieve.

AutoPilot Linear Control Panel
Irrigation Association - Top Ag Product of 2008
and
American Society of Agricultural and Biological Engineers (ASABE) AE50 Winner for 2009

Guidance

Linear irrigation equipment moves through a field by following one of several types of guidance options: below-ground cable, above-ground cable, furrow, or now GPS Guidance.

Valley Linear GPS Guidance is compatible with the StarFire™ RTK receiver.



Guidance Options	
GPS	Best choice for precision irrigation
Above-Ground Cable	Most widely used with ditch delivery
Below-Ground Cable	Good choice for any linear if soil permits
Furrow	Recommended for short linears



GPS Guidance increases accuracy and precision of linear irrigation equipment when compared with conventional irrigation guidance. It also helps eliminate some maintenance issues associated with existing guidance options and minimizes variances in water application, which in turn maximizes yields.

Valley Rainger – Ideal For Large Field Coverage

The Valley Rainger line provides water source versatility with Ditch (canal) and Hose (pressured pipeline) Delivery and also has customized cart options. Valley Linears offer high flow capabilities which are not available with other mechanized irrigation equipment.



Valley Rainger Ditch Delivery on concrete ditch

Valley Rainger – Ditch Delivery	
Water Source	Earthen ditch or concrete canal
Power Source	Cart mounted genset
Guidance	GPS, above- or below-ground cable, or furrow
Typical field sizes	320-1,500 acres 130-607 hectares
Typical flow rates	500-4,500 gpm 32-284 lps
Chemigation	On board tanks
Engines	John Deere®, Cat®, Cummins®, Deutz®

Customize Your Valley Rainger Cart with the Features You Need

The Valley Rainger line gives you the ability to customize the equipment to fit your requirements. The Valley Linear basic cart, equipped with a five-inch tube frame with outstanding durability to hold up in any conditions. The same frame is used no matter your water source – you select what you need.

Valley Rainger –
Swing-Around

Valley Rainger with Swing-Around Option – With this option, your linear has the potential to irrigate more than twice as much land with one machine. The Swing-Around rotates 180 degrees around the cart to irrigate the opposite side of the field, but does not irrigate while rotating. It's available as either a hose delivery or ditch delivery.

Valley Universal Linear – Like the Rainger Swing-Around, this linear rotates around the cart 180 degrees. If programmed using the AutoPilot linear control panel, the Swing-Around can rotate automatically, as well as irrigate while rotating.



Valley Universal hose drag



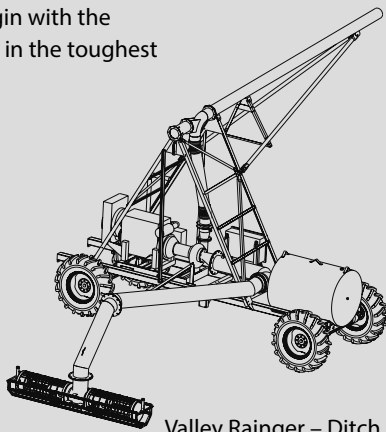
Valley Rainger hose delivery with cart mounted booster pump

Valley Rainger – Hose Delivery

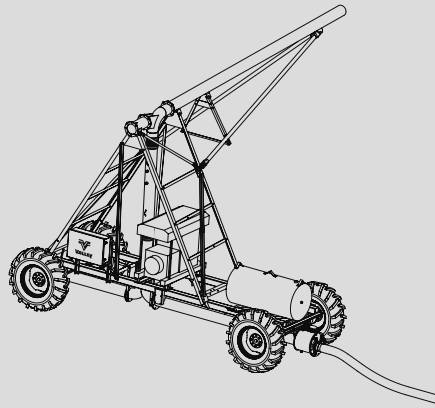
Water Source	Pressurized pipeline
Power Source	Cart mounted genset or power cord
Guidance	Above- or below-ground cable or furrow
Typical field sizes	10-240 acres 9-47 hectares
Typical flow rates	200-1,400 gpm 12-88 lps
Hose sizes (I.D.)	4, 4.75, 6 & 8 inch HDPE 120, 150 & 200mm
Gensets	Isuzu [®] , Yanmar [®] , Perkins [®] John Deere [®] , Deutz [®]

You Need

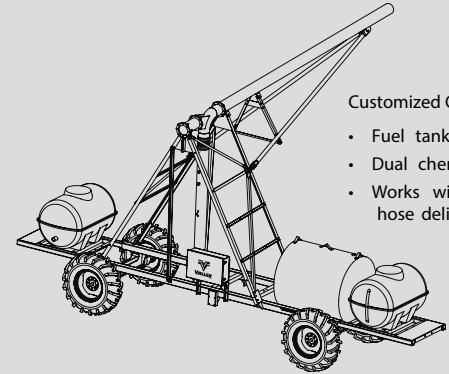
You begin with the
pump even in the toughest



Valley Rainger – Ditch Delivery



Valley Rainger – Hose Delivery



Valley Rainger with Select Options

- Customized Cart Options
- Fuel tank
 - Dual chemigation tanks
 - Works with ditch or hose delivery



Rainger ditch delivery with above-ground cable guidance

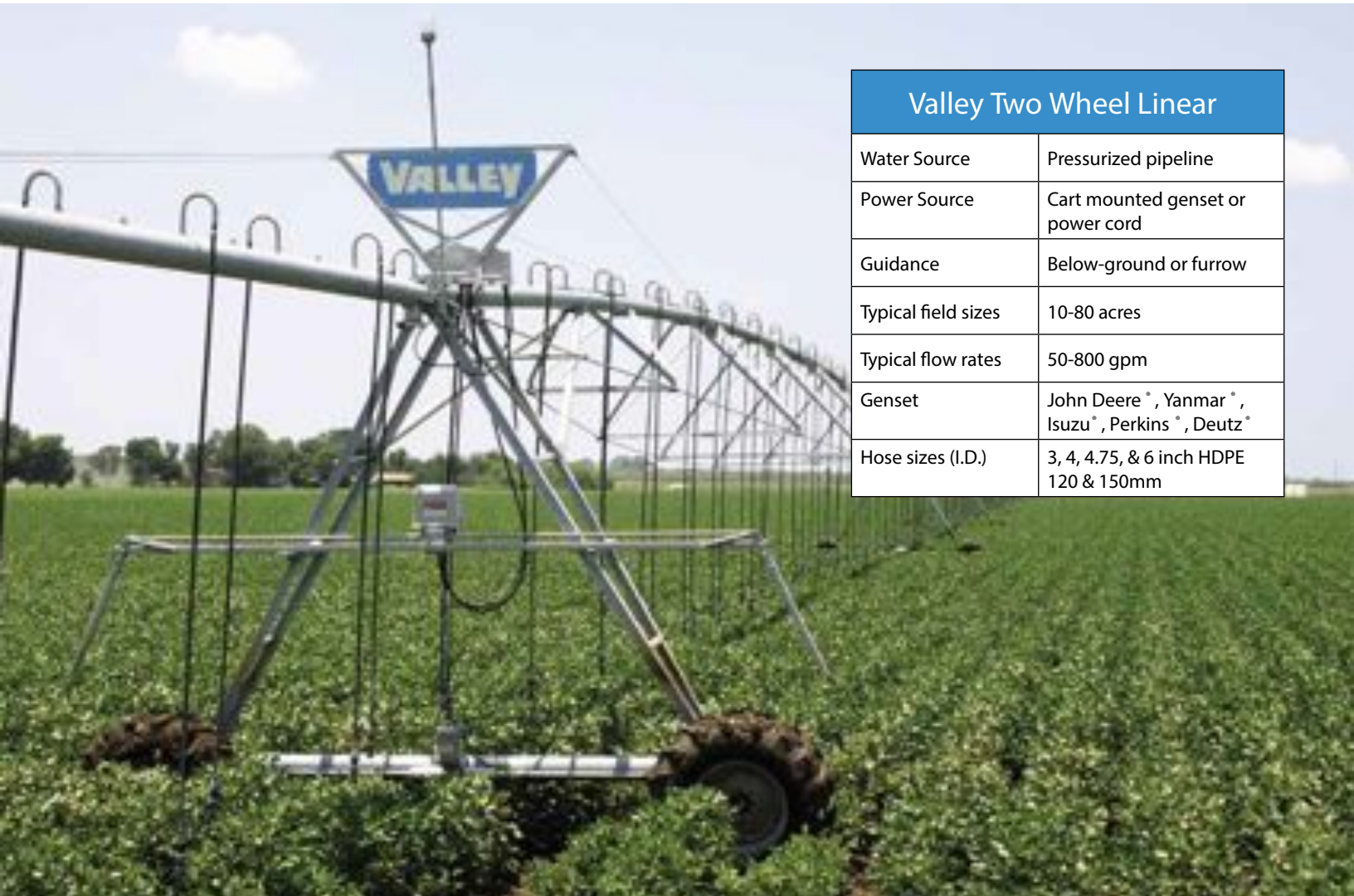


Rainger hose delivery center inlet with furrow guidance



Rainger hose delivery side inlet with furrow guidance

Small Field Towable and Swing-Around Applications



Valley Two Wheel Linear	
Water Source	Pressurized pipeline
Power Source	Cart mounted genset or power cord
Guidance	Below-ground or furrow
Typical field sizes	10-80 acres
Typical flow rates	50-800 gpm
Genset	John Deere [®] , Yanmar [®] , Isuzu [®] , Perkins [®] , Deutz [®]
Hose sizes (I.D.)	3, 4, 4.75, & 6 inch HDPE 120 & 150mm

Valley Two Wheel Linear

A perfect match for smaller fields, the Two Wheel Linear stretches your investment with mobile field-to-field applications, allowing you to follow crops during the growing season.

Valley Two Wheel Hose Delivery

- Easy swing-around capabilities or towable
- Eight span maximum
- Furrow or below ground guidance
- Choice of alignment



Two wheel with genset



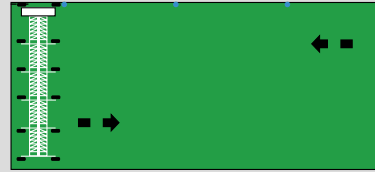
Two wheel with cord drag option

Linear Application Guide

	Valley Rainger	Two Wheel	Universal	Description
CHARACTERISTICS				
Maximum Length	3400 ft (1036m)	1300 ft (400m)	1300 ft (400m)	Dependent on guidance and electrical choices
Span Length Choices	All available	All available	All available	Ranging from 127 ft to 205 ft
Span Diameter Choices	6 5/8, 8 5/8 and 10 in.	5, 6 5/8 in.	6 5/8 in.	Diameter choice to minimize pumping cost. 5" only available for International use on 8120 series.
Pipeline Choices	Galvanized, PolySpan®	Galvanized, PolySpan®	Galvanized, PolySpan®	Choices to meet customer expectations
CONFIGURATION				
Hose	YES	YES	YES	Water delivery from a pressurized pipeline
Ditch/Canal	YES	NO	YES	Water delivery from an open ditch or canal
End Feed	YES	YES	YES	Cart at the end of the linear
Center Feed	YES	NO	NO	Cart at or near the middle of the linear
Swing-Around Option	YES	YES	YES	Linear can pivot 180° at the end of the field to cover the other half
Towable Option	NO	YES	YES	Linear can be towed field to field similar to a towable pivot
GUIDANCE OPTIONS				
GPS	YES*	YES	NO	End feed only. *Not available for Swing-Around applications.
Below-Ground Cable	YES	YES	YES	Linear uses a buried cable to guide down the field
Furrow	YES	YES	YES	Linear 'follows' a furrow made by the customer down the field
Above-Ground Cable	YES	NO	NO	Linear 'follows' a cable about 18 in. above the ground down the field
ALIGNMENT OPTIONS				
Modified	YES	YES	YES	Five drive units or less
Full Floating	YES	YES	YES	Six drive units or more
HOSE DELIVERY OPTIONS				
Hose Connections (I.D.)	4 & 6 in. – double, 8 in. – single	4 & 6 in. – single	4 & 6 in. – single	Double – indicates can pull two hoses, single indicates can only pull one hose
Auto reverse on the hose	Optional	Standard	Optional	Linear cart can be reversed without disconnecting the hose from the cart, must use High Density Polyethylene (HDPE) only and no soft hose connection
Hose - HDPE	YES	YES	YES	Recommended water supply to the cart is a high density polyethylene hose
Power supply	cord drag, genset	cord drag, genset	cord drag, genset	Customer choice - cord drag allows use of public power
Cart mounted pump	Optional	NO	NO	Engine driven pump mounted on the cart to boost the incoming pressure.
DITCH DELIVERY OPTIONS				
Pumps	Cornell®, Pioneer®	N/A	Cornell®	
Chemigation platform	YES	N/A	YES	Optional platform with capacity to carry up to 300 gal. tank
Water inlet	floating, rolling	N/A	floating	Inlet choice to match ditch type
CONTROL PANELS				
AutoPilot	YES	YES	YES	GPS Ready for programming by position.
ClassicPlus	YES	YES	YES	Standard.

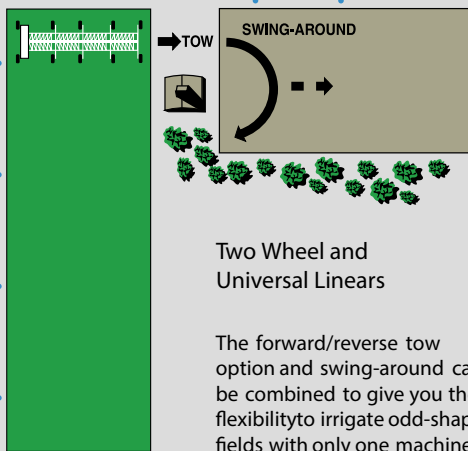
Choices to Fit Different Field Applications

Fitting your field is our main concern and we recognize customers need choices. That's why we offer options from the most reliable drive trains and water delivery to choosing spans, tires, pumps, guidance systems and more. Linears offer the greatest versatility for field applications – see how Valley Linears can match your field size and shape.



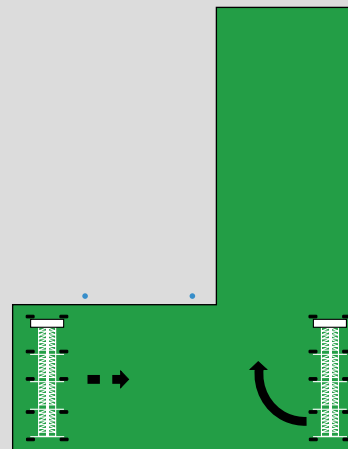
All Valley Linears

The standard linear travels up and down square or rectangular fields.



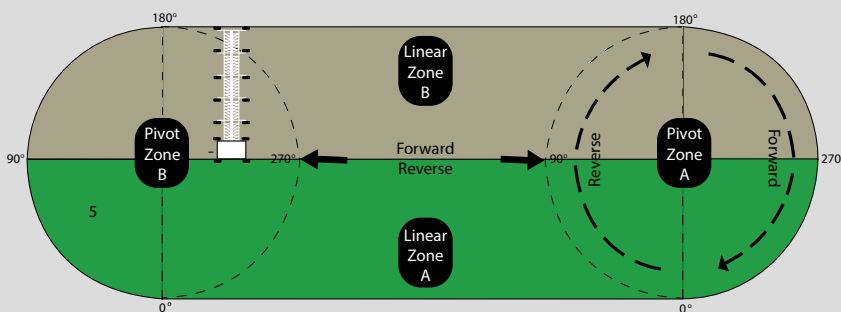
Two Wheel and Universal Linears

The forward/reverse tow option and swing-around can be combined to give you the flexibility to irrigate odd-shaped fields with only one machine.



Two Wheel and Universal Linears

As an option, a swing-around package can be ordered, which gives you the capability to irrigate L-shaped fields with one machine.



Valley Universal and Rainger Swing-Around Linears

The Valley Universal Linear with the AutoPilot linear control panel will automatically transition from linear to pivot. The Valley Rainger will also swing-around but requires manual user intervention.



Varalöv 262 96 Ängelholm
www.bevattningsteknik.se
 0431-222 90